

# BUS 11903

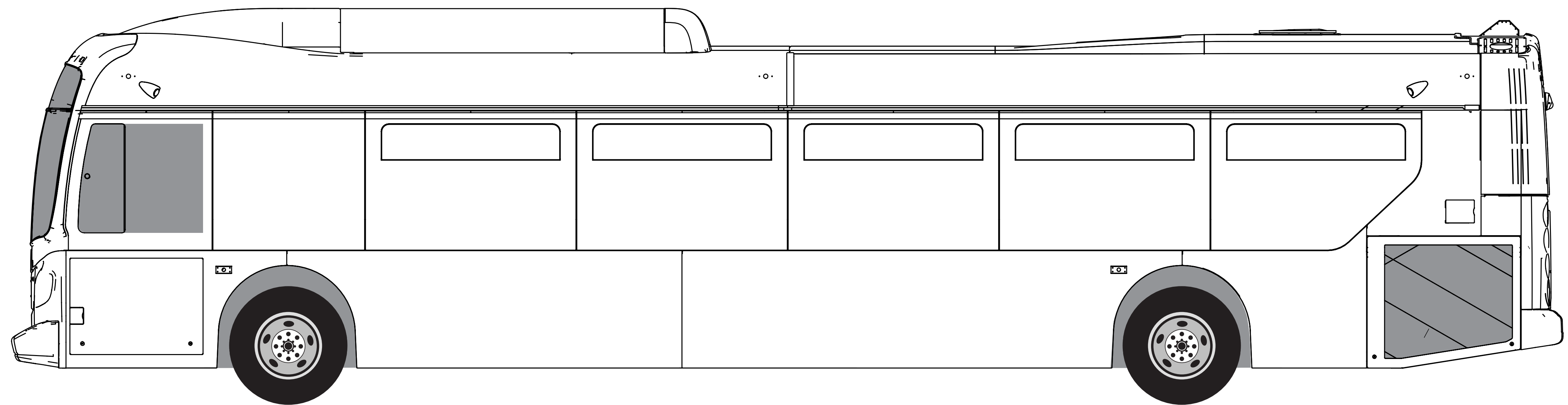
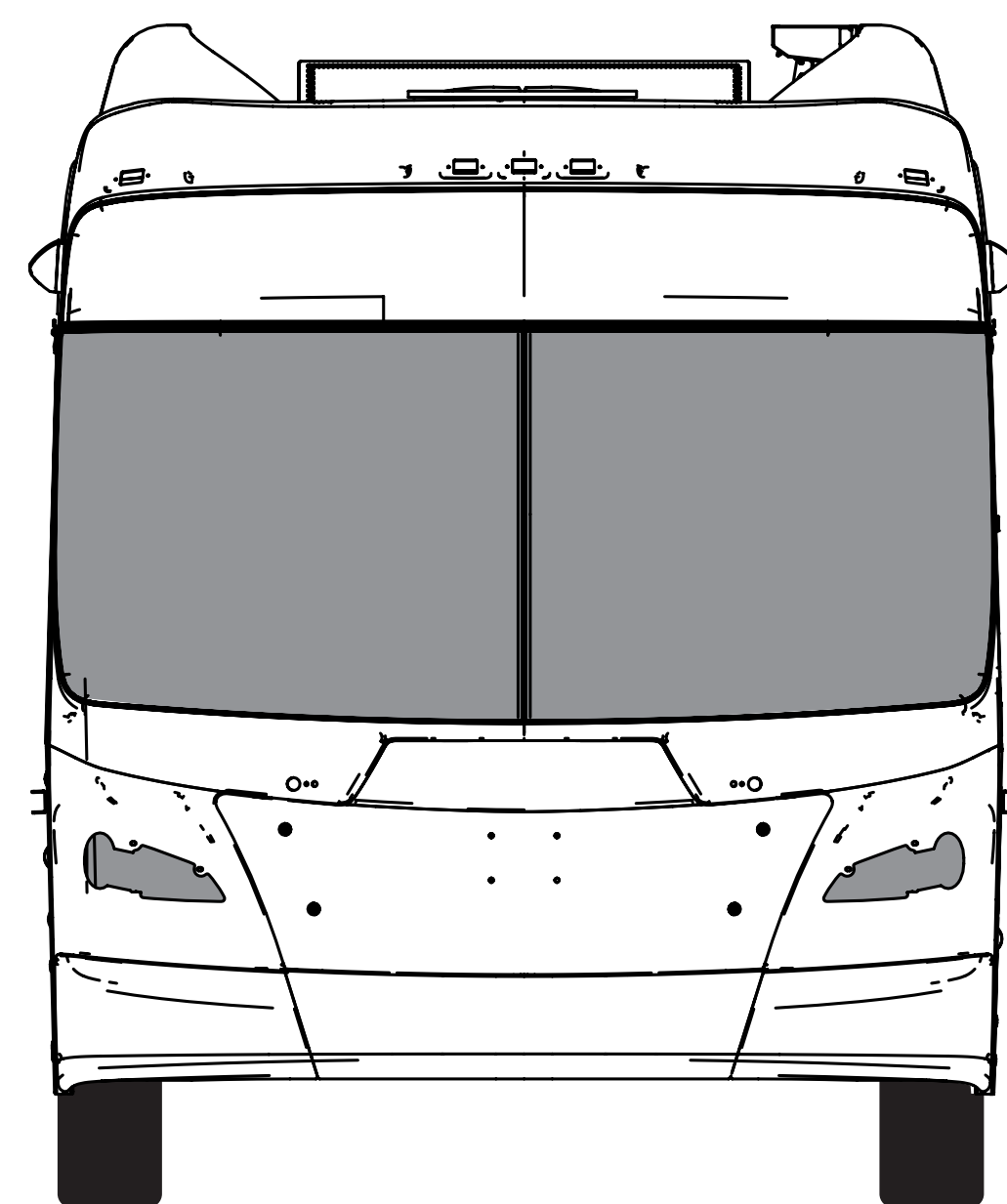
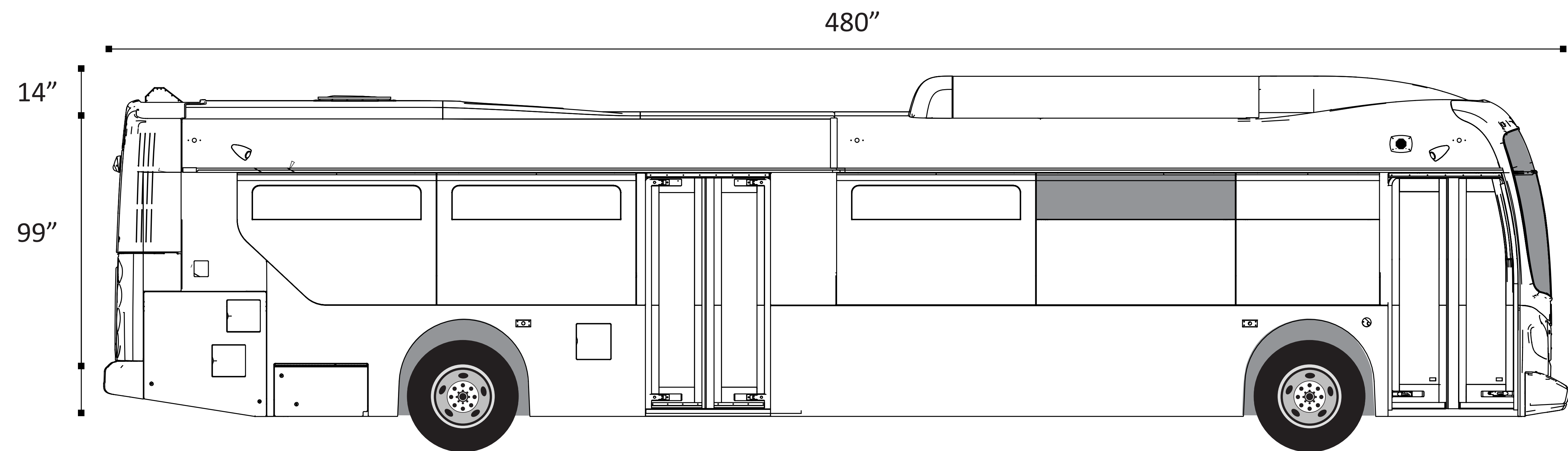
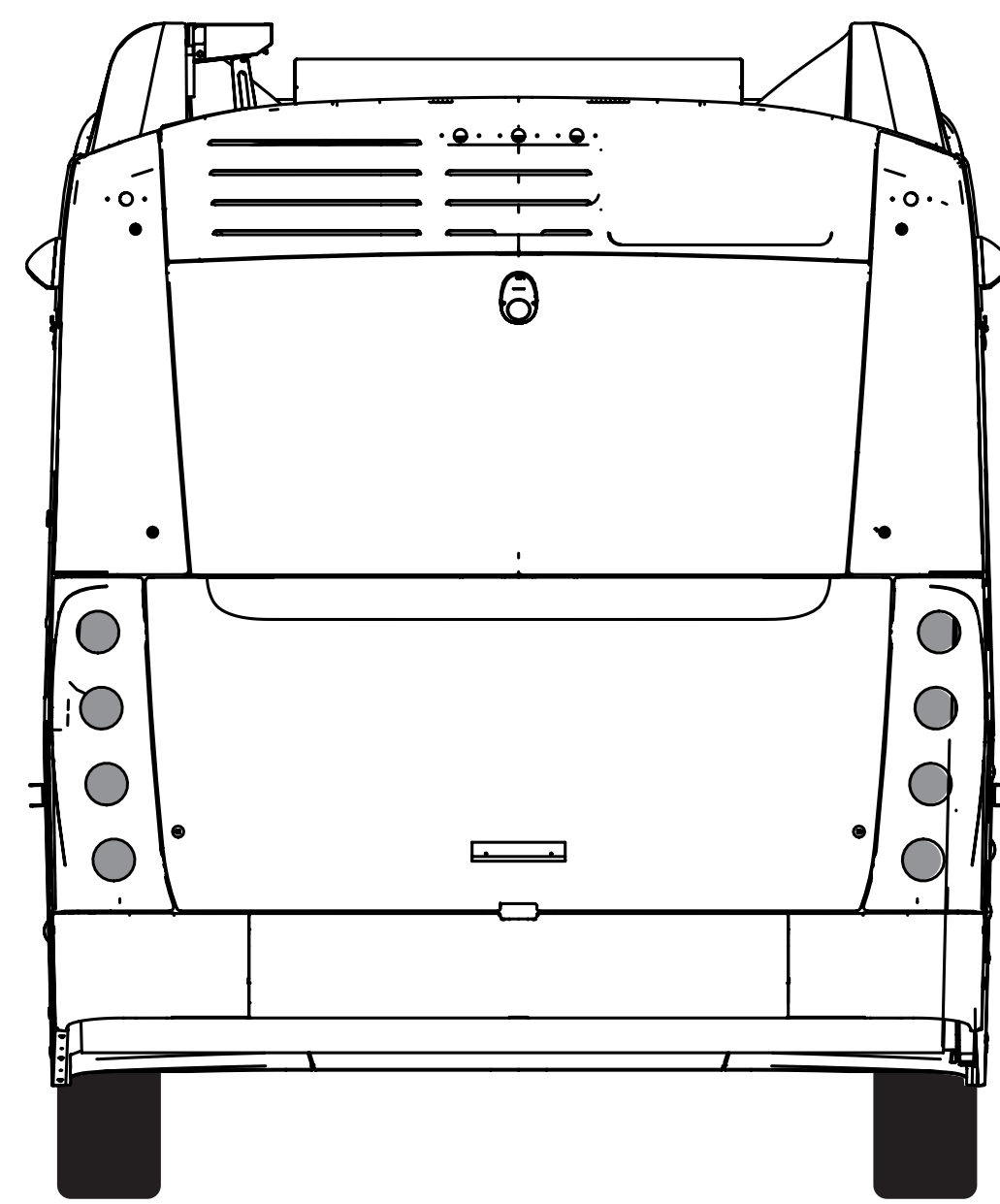
Areas in gray will not be covered.

Artwork at this scale should be created in a vector-based format, or at a minimum of 600 dpi in order to ensure print quality.

Finished artwork should be uploaded or sent in layered file formats

Note: Graphics may shift up to 4" upon installation. Please do not place critical elements any closer than 4" from uncovered windows, obstacles and edges of vehicle.

Note: At the time of production, WATA reserves the right to alter/modify any design in regards to transportation safety requirements/guidelines and/or production constraints.



## 1:20 Scale

# BUS 11905

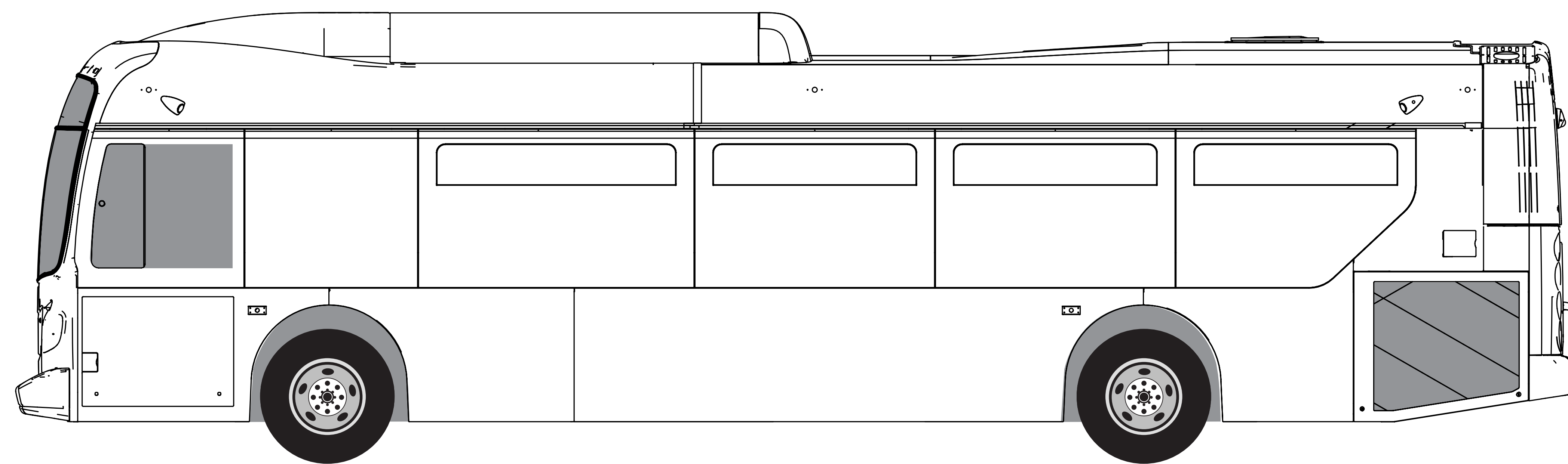
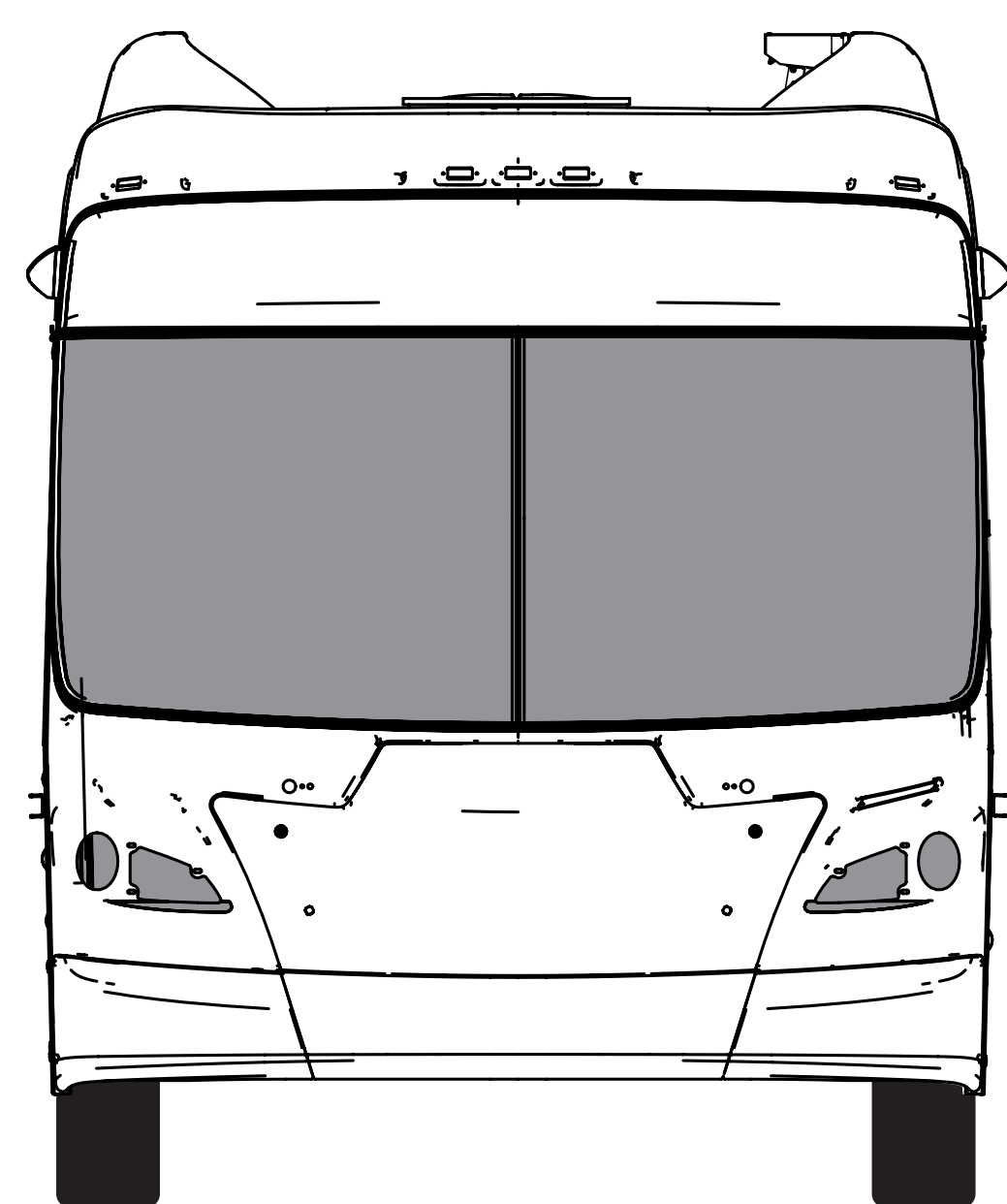
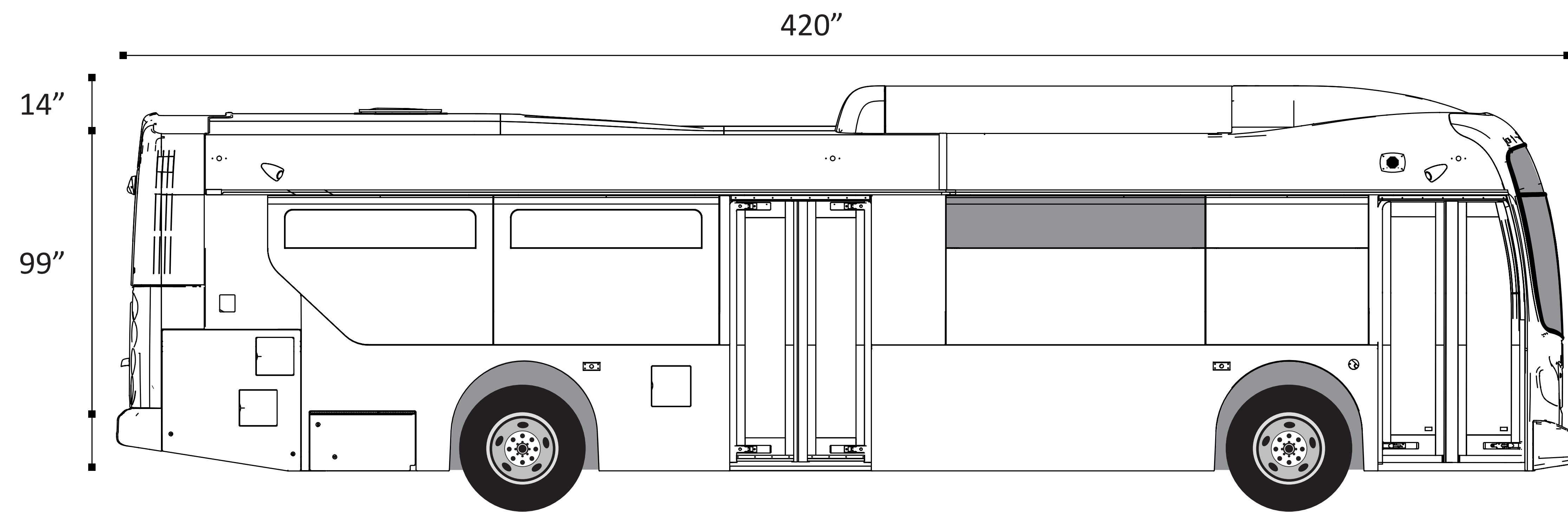
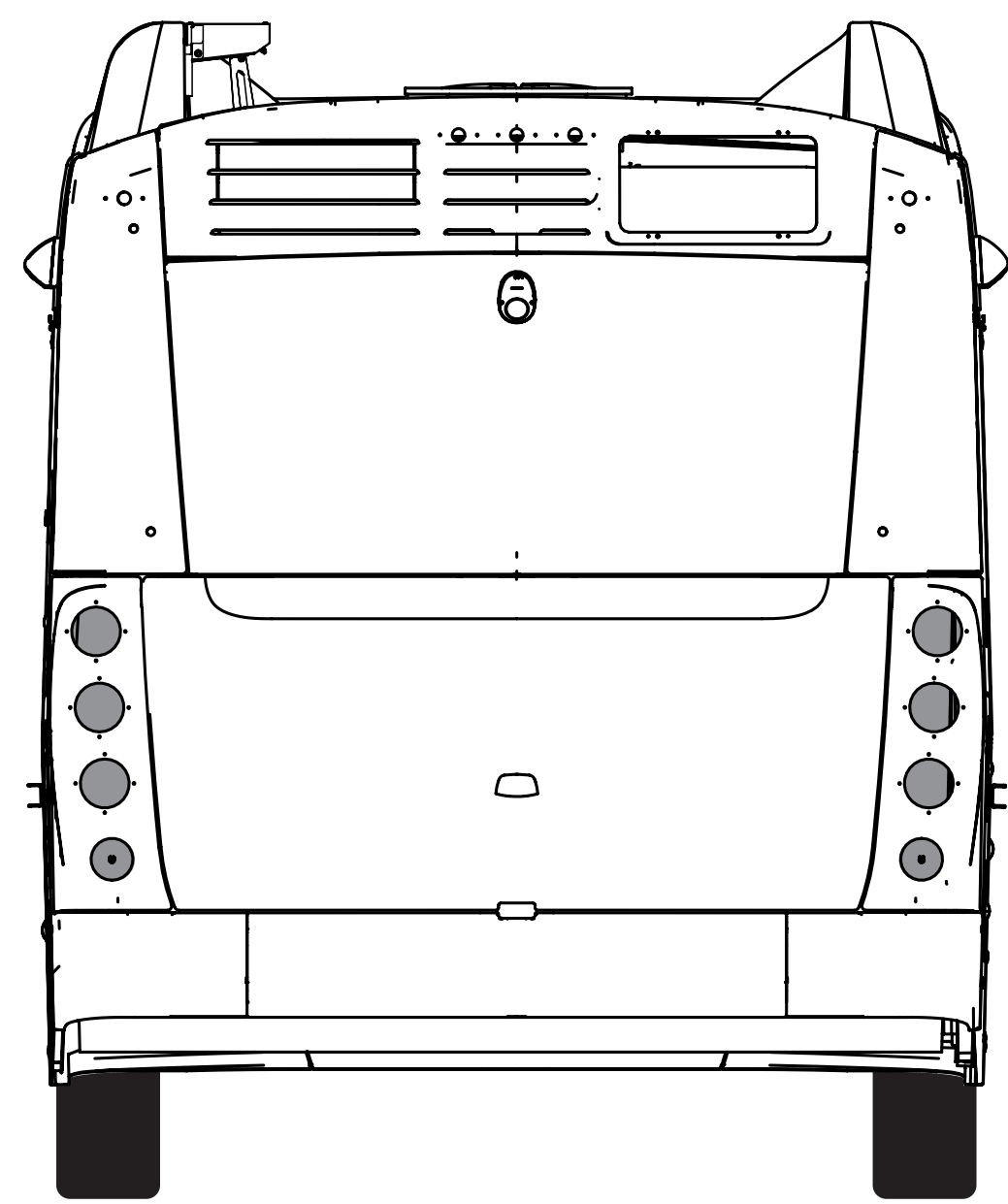
Areas in gray will not be covered.

Artwork at this scale should be created in a vector-based format,  
or at a minimum of 600 dpi in order to ensure print quality.

Finished artwork should be uploaded or sent in layered file formats

Note: Graphics may shift up to 4" upon installation. Please do not place critical  
elements any closer than 4" from uncovered windows, obstacles and edges of vehicle.

Note: At the time of production, WATA reserves the right to alter/modify any design in regards  
to transportation safety requirements/guidelines and/or production constraints.



## 1:20 Scale